

Retail Catalog 2026

Customer Product Catalog + Retail Price Guide



Built Strong. Built to Last.

Authorized Dealer

Dealer Name: _____

Phone / Email: _____

Project Notes: _____

How to Use This Catalog

This retail catalog is designed for customers working through an authorized dealer. Use the price tables to identify parts, build a material list, and review product drawings before placing an order through your dealer.

Step	Action	Details
1	Select the product family	Post bases, connector plates, truss plates, splice plates, or wood posts.
2	Build a quantity list	Use the blank Qty column in each table to mark the parts needed for your project.
3	Confirm with your dealer	Your dealer will confirm pricing, taxes, freight, availability, and current lead time.
4	Review drawings	Use the drawing index to visually confirm part style and compatibility.

Retail Catalog Notes

- Retail prices shown are product prices only unless otherwise quoted by the dealer.
- Freight is calculated by shipment size and distance from Henderson, TN 38340.
- Shipping options include UPS or LTL freight.
- Most orders ship within the week; bulk order lead times are available upon request.
- Cypress and Eastern Red Cedar post weights vary for green lumber.

Authorized Dealer
Dealer Name: _____
Phone / Email: _____
Project Notes: _____

Retail Price Tables

Post Bases

Qty	Part #	Product	Fit / Notes	Weight	Retail
	PB6N	6x6 Nominal Post Base	5.5" x 5.5" nominal post fit; surface mount	8 lbs	\$90.16
	PB8N	8x8 Nominal Post Base	7.25" x 7.25" nominal post fit; surface mount	14 lbs	\$95.68
	PB6R	6x6 Rough Cut Post Base	Rough-sawn 6x6 post fit; surface mount	10 lbs	\$90.16
	PB8R	8x8 Rough Cut Post Base	Rough-sawn 8x8 post fit; surface mount	16 lbs	\$95.68
	PB10R	10x10 Rough Cut Post Base	Rough-sawn 10x10 post fit; heavy-duty surface mount	22 lbs	\$147.20
	PB12R	12x12 Rough Cut Post Base	Rough-sawn 12x12 post fit; heavy-duty surface mount	24 lbs	\$184.00
	PB6WN	6x6 Wet-Set Nominal Post Base	5.5" x 5.5" nominal post fit; wet-set	15 lbs	\$145.36
	PB8WN	8x8 Wet-Set Nominal Post Base	7.25" x 7.25" nominal post fit; wet-set	21 lbs	\$182.16
	PB6WR	6x6 Wet-Set Rough Cut Post Base	6" x 6" rough post fit; wet-set	17 lbs	\$145.36
	PB8WR	8x8 Wet-Set Rough Cut Post Base	8" x 8" rough post fit; wet-set	23 lbs	\$182.16
	PB6AN	6x6 Outside Anchor Nominal Post Base	Nominal 6x6 fit; outside anchor pattern	16 lbs	\$126.96
	PB8AN	8x8 Outside Anchor Nominal Post Base	Nominal 8x8 fit; outside anchor pattern	22 lbs	\$163.76
	PB6AR	6x6 Outside Anchor Rough Cut Post Base	Rough 6x6 fit; outside anchor pattern	16 lbs	\$126.96
	PB8AR	8x8 Outside Anchor Rough Cut Post Base	Rough 8x8 fit; outside anchor pattern	22 lbs	\$163.76
	CB6A	Outside Anchor Corner Bracket	Corner support bracket for outside anchor bases	8 lbs	\$71.76

Connector Plates - Basics

Qty	Part #	Product	Application / Notes	Weight	Retail
	CPST	Connector Plate - Strap	Flat strap for inline member ties or shear capacity		\$15.64
	CPT1	Connector Plate - Small T	Compact tee plate for light-duty tee connections		\$19.32
	CPT2	Connector Plate - Standard T	General-purpose tee connection plate		\$35.42
	CPL1	Connector Plate - Small L	Compact L plate for corner or bracing connections		\$18.03
	CPL2	Connector Plate - Standard L	General-purpose corner or angle connection plate		\$33.49
	CPA1	Connector Plate - Small Angle	Light-duty angled plate for bracing and small corner ties		\$6.90
	CPA2	Connector Plate - Standard Angle	Medium-duty angled plate for bracing and corner ties		\$17.02
	CPHT	Connector Plate - Universal Hurricane Tie	Uplift and lateral restraint for rafters/trusses to top plates		\$7.27

Splice Plates

Qty	Part #	Product	Compatibility	Size	Retail
	SN6	Splice Plate - Nominal 6" x 32"	Nominal 6x members	6" x 32"	\$57.60
	SR6	Splice Plate - Rough Cut 6" x 32"	Rough 6x members	6" x 32"	\$60.80
	SN8	Splice Plate - Nominal 8" x 36"	Nominal 8x members	8" x 36"	\$67.20
	SR8	Splice Plate - Rough Cut 8" x 36"	Rough 8x members	8" x 36"	\$70.40

Corner, Peak, and Crow's Foot Plates

Qty	Part #	Product	Pitch / Size	Application	Retail
	CPCF6	Crow's Foot 6"	6"	Bottom plate for trusses tying center pin, webs, and bottom chord	\$138.00
	CPCF8	Crow's Foot 8"	8"	Bottom plate for trusses tying center pin, webs, and bottom chord	\$161.92
	CPCN-412	Corner Plate	4/12 pitch	Pitch-specific roof corner/return connection	\$82.80
	CPCN-512	Corner Plate	5/12 pitch	Pitch-specific roof corner/return connection	\$82.80
	CPCN-612	Corner Plate	6/12 pitch	Pitch-specific roof corner/return connection	\$82.80
	CPCN-812	Corner Plate	8/12 pitch	Pitch-specific roof corner/return connection	\$82.80
	CPCN-912	Corner Plate	9/12 pitch	Pitch-specific roof corner/return connection	\$82.80
	CPCN-1012	Corner Plate	10/12 pitch	Pitch-specific roof corner/return connection	\$82.80
	CPPP6-412	Peak Plate	4/12 pitch, 6"	Ridge cap plate for truss peak	\$51.52
	CPPP6-512	Peak Plate	5/12 pitch, 6"	Ridge cap plate for truss peak	\$51.52
	CPPP6-612	Peak Plate	6/12 pitch, 6"	Ridge cap plate for truss peak	\$51.52
	CPPP6-812	Peak Plate	8/12 pitch, 6"	Ridge cap plate for truss peak	\$51.52
	CPPP6-912	Peak Plate	9/12 pitch, 6"	Ridge cap plate for truss peak	\$51.52
	CPPP6-1012	Peak Plate	10/12 pitch, 6"	Ridge cap plate for truss peak	\$51.52

Cypress and Eastern Red Cedar Posts

Weights vary for green lumber.

Qty	Species	Size	Length	Retail
	Cypress	6x6	8'	\$125.35
	Cypress	6x6	10'	\$156.98
	Cypress	6x6	12'	\$188.03
	Cypress	8x8	8'	\$222.53
	Cypress	8x8	10'	\$278.30
	Cypress	8x8	12'	\$334.08
	Eastern Red Cedar	6x6	8'	\$132.25
	Eastern Red Cedar	6x6	10'	\$165.03
	Eastern Red Cedar	6x6	12'	\$197.80
	Eastern Red Cedar	8x8	8'	\$234.60
	Eastern Red Cedar	8x8	10'	\$293.25
	Eastern Red Cedar	8x8	12'	\$352.48

Ordering Through Your Dealer

Topic	Details
Where to Order	Place retail orders through your authorized Core Connectors dealer.
Lead Time	Most orders ship within the week. Bulk order lead times are available upon request.
Freight	Freight is figured by shipment size and distance from Henderson, TN 38340.
Shipping Options	UPS or LTL freight.
Quote Confirmation	Your dealer will confirm final pricing, taxes, freight, availability, and current lead time before order placement.

Authorized Dealer
Dealer Name: _____
Phone / Email: _____
Project Notes: _____

Product Glossary

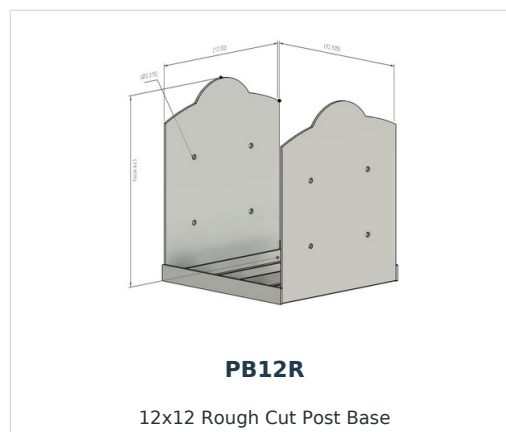
Part #	Category	Description
PB6N	Post Bases	6x6 Nominal Post Base. 5.5" x 5.5" nominal post fit; surface mount. Weight: 8 lbs
PB8N	Post Bases	8x8 Nominal Post Base. 7.25" x 7.25" nominal post fit; surface mount. Weight: 14 lbs
PB6R	Post Bases	6x6 Rough Cut Post Base. Rough-sawn 6x6 post fit; surface mount. Weight: 10 lbs
PB8R	Post Bases	8x8 Rough Cut Post Base. Rough-sawn 8x8 post fit; surface mount. Weight: 16 lbs
PB10R	Post Bases	10x10 Rough Cut Post Base. Rough-sawn 10x10 post fit; heavy-duty surface mount. Weight: 22 lbs
PB12R	Post Bases	12x12 Rough Cut Post Base. Rough-sawn 12x12 post fit; heavy-duty surface mount. Weight: 24 lbs
PB6WN	Post Bases	6x6 Wet-Set Nominal Post Base. 5.5" x 5.5" nominal post fit; wet-set. Weight: 15 lbs
PB8WN	Post Bases	8x8 Wet-Set Nominal Post Base. 7.25" x 7.25" nominal post fit; wet-set. Weight: 21 lbs
PB6WR	Post Bases	6x6 Wet-Set Rough Cut Post Base. 6" x 6" rough post fit; wet-set. Weight: 17 lbs
PB8WR	Post Bases	8x8 Wet-Set Rough Cut Post Base. 8" x 8" rough post fit; wet-set. Weight: 23 lbs
PB6AN	Post Bases	6x6 Outside Anchor Nominal Post Base. Nominal 6x6 fit; outside anchor pattern. Weight: 16 lbs
PB8AN	Post Bases	8x8 Outside Anchor Nominal Post Base. Nominal 8x8 fit; outside anchor pattern. Weight: 22 lbs
PB6AR	Post Bases	6x6 Outside Anchor Rough Cut Post Base. Rough 6x6 fit; outside anchor pattern. Weight: 16 lbs
PB8AR	Post Bases	8x8 Outside Anchor Rough Cut Post Base. Rough 8x8 fit; outside anchor pattern. Weight: 22 lbs
CB6A	Post Bases	Outside Anchor Corner Bracket. Corner support bracket for outside anchor bases. Weight: 8 lbs
CPST	Connector Plates - Basics	Flat strap for inline member ties or shear capacity
CPT1	Connector Plates - Basics	Compact tee plate for light-duty tee connections
CPT2	Connector Plates - Basics	General-purpose tee connection plate
CPL1	Connector Plates - Basics	Compact L plate for corner or bracing connections
CPL2	Connector Plates - Basics	General-purpose corner or angle connection plate
CPA1	Connector Plates - Basics	Light-duty angled plate for bracing and small corner ties
CPA2	Connector Plates - Basics	Medium-duty angled plate for bracing and corner ties
CPHT	Connector Plates - Basics	Uplift and lateral restraint for rafters/trusses to top plates
CPCF6	Connector Plates - Truss	Bottom plate for trusses tying center pin, webs, and bottom chord
CPCF8	Connector Plates - Truss	Bottom plate for trusses tying center pin, webs, and bottom chord
CPCN-412	Connector Plates - Truss	Pitch-specific roof corner/return connection
CPCN-512	Connector Plates - Truss	Pitch-specific roof corner/return connection
CPCN-612	Connector Plates - Truss	Pitch-specific roof corner/return connection
CPCN-812	Connector Plates - Truss	Pitch-specific roof corner/return connection
CPCN-912	Connector Plates - Truss	Pitch-specific roof corner/return connection
CPCN-1012	Connector Plates - Truss	Pitch-specific roof corner/return connection
CPPP6-412	Connector Plates - Truss	Ridge cap plate for truss peak
CPPP6-512	Connector Plates - Truss	Ridge cap plate for truss peak
CPPP6-612	Connector Plates - Truss	Ridge cap plate for truss peak

Part #	Category	Description
CPPP6-812	Connector Plates - Truss	Ridge cap plate for truss peak
CPPP6-912	Connector Plates - Truss	Ridge cap plate for truss peak
CPPP6-1012	Connector Plates - Truss	Ridge cap plate for truss peak
SN6	Splice Plates	Nominal 6x members. Size: 6" x 32"
SR6	Splice Plates	Rough 6x members. Size: 6" x 32"
SN8	Splice Plates	Nominal 8x members. Size: 8" x 36"
SR8	Splice Plates	Rough 8x members. Size: 8" x 36"

Product Drawing Index

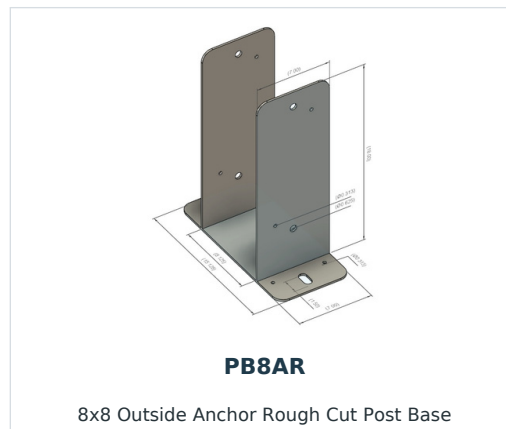
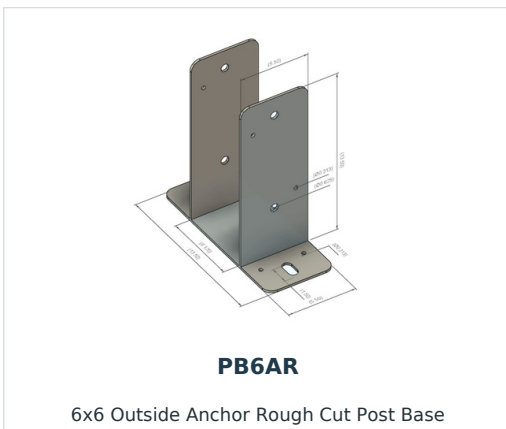
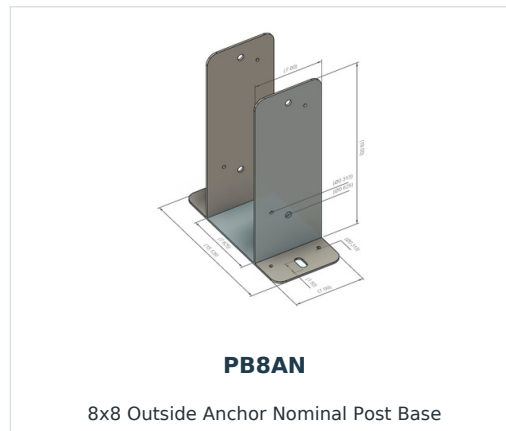
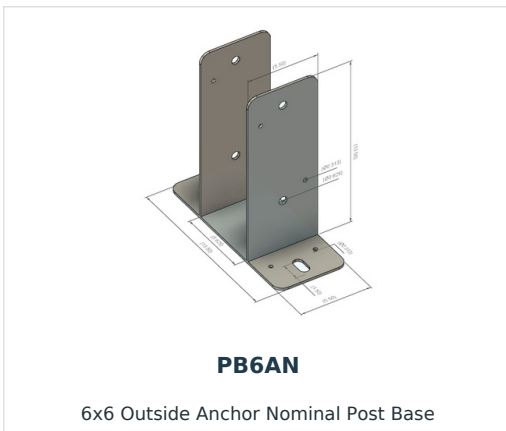
Drawing thumbnails are grouped by product family. Use the part number in each card to cross-reference the retail price tables and glossary.

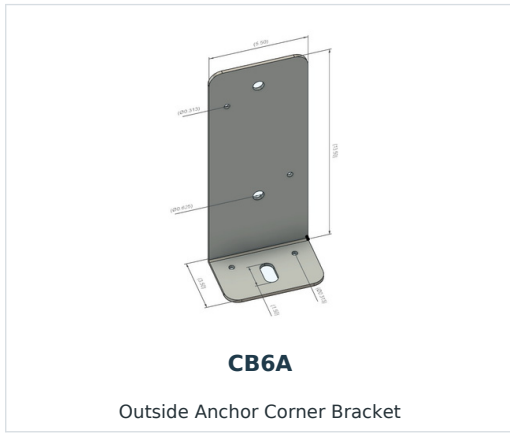
Post Base Drawings



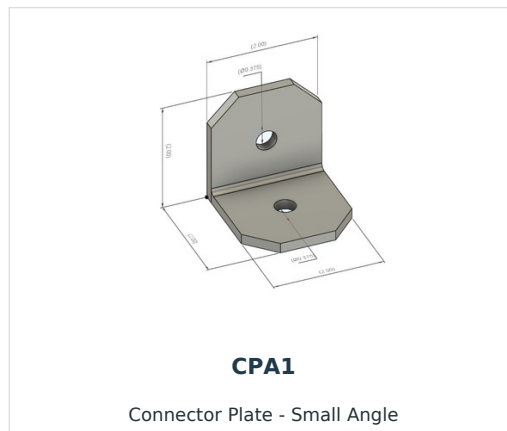
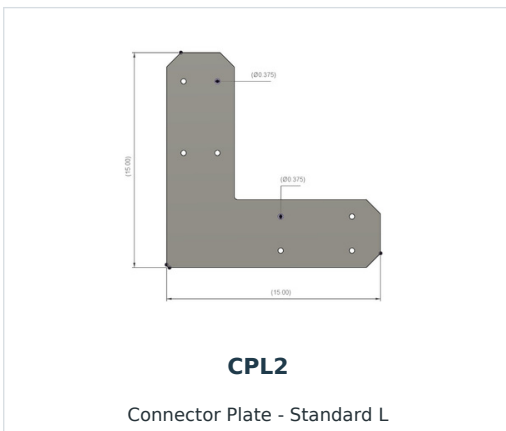
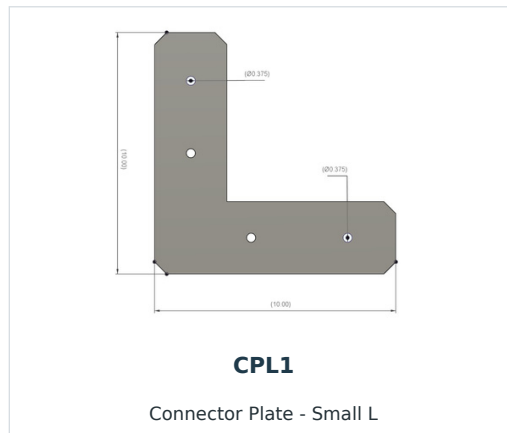
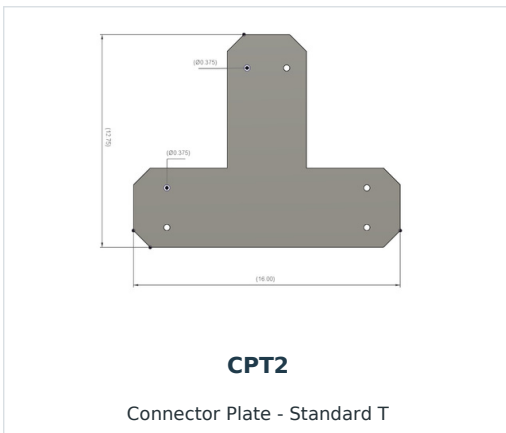
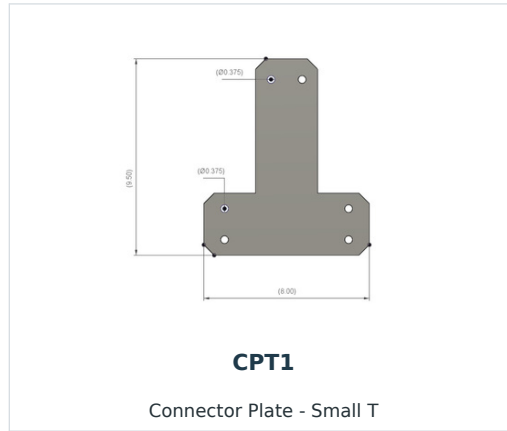
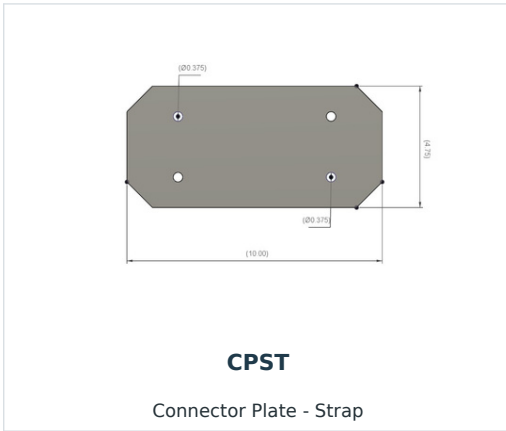


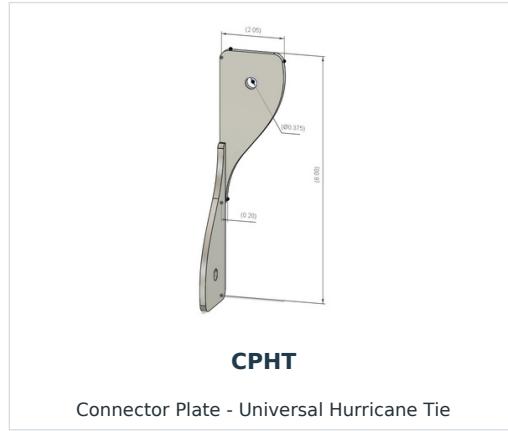
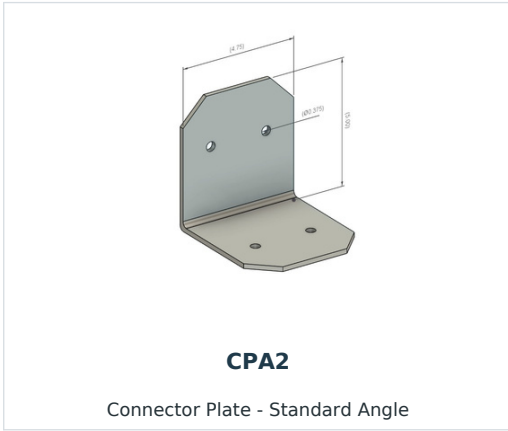
Post Base Drawings - Continued





Connector Plate Drawings





Truss and Splice Plate Drawings

